

Barracuda

Stylish design and proven reliability makes the Barracuda a popular quality banner stand. The Barracuda is one of the most feature-rich single sided retractable banner stands available and has been specially designed for maximum convenience and ease of use.



Features and Benefits

- Variable height = 29.5" - 83.35"
- Graphic tensioner
- Integrated pole storage for the twist & lock telescopic pole
- Supplied with quality carry bag

Dimensions

Hardware Dimensions	Graphic Dimensions
Hardware Dimensions: 87"(h) x 33.5"(w) x 7.5"(d) approx. 2209.8mm(h) x 850mm(w) x 190.5mm(d) approx.	31.5"w x 29.5"h up to 83.35"h (plus .5" bleed at the top and 6" bleed at the bottom) 800.1 mm w x 749.3 mm h up to 2117.1 mm h (plus 12.7 mm bleed at the top and 152.4 mm bleed at the bottom)
Base Dimensions: 3"(h) x 33.5"(w) x 7.5"(d) approx. 80mm(h) x 855mm(w) x 195mm(d) approx.	
Weight: 10 lbs (4.5 kg) approx (including carry bag)	

Additional Information

Shipping Dimensions:
 36" x 10" x 5"
 914.4mm x 254mm x 127mm

Shipping Weight:
 12 lbs / 5.44 kg

Can add lighting with any of our lights.
Lumina 2 is recommended.
 Must order universal connector for Lumina 7 & Lumina 200

Recommended Substrate: 13oz. smooth vinyl, 7oz. cotton, 14oz. anti-curl vinyl, 8oz. oxford, 11mil melanex

Bag Dimensions: 33" x 8" x 3"

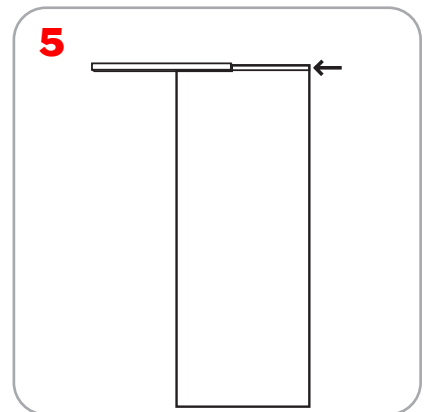
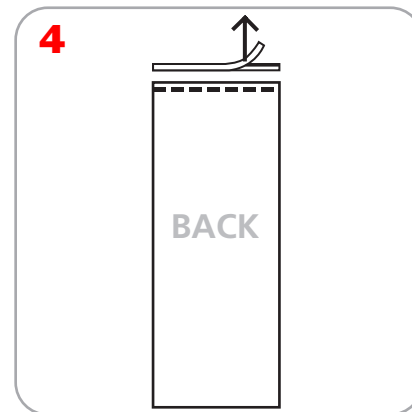
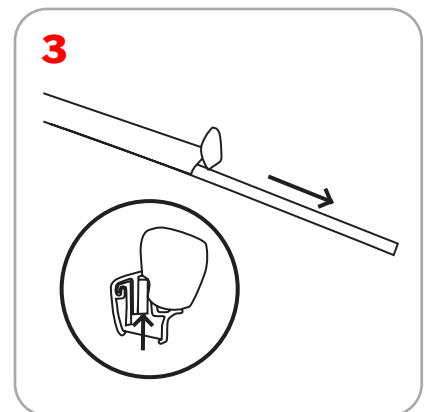
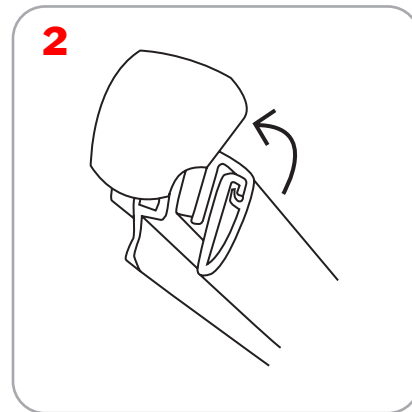
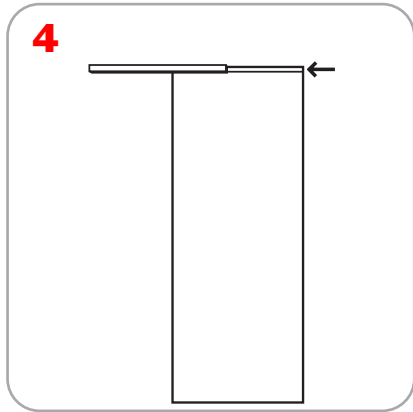
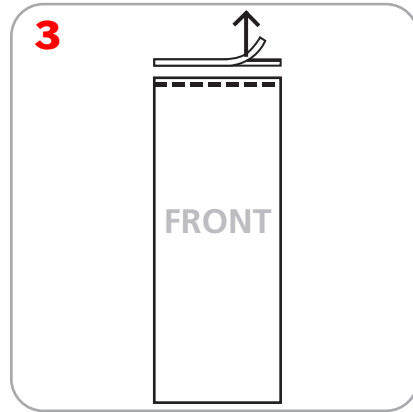
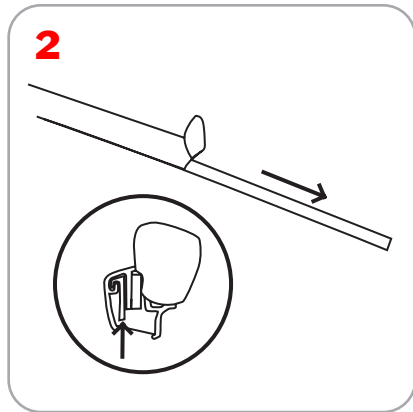
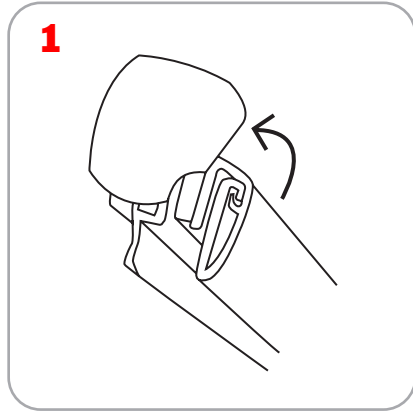
Grippa top rail attachment recommended for semi-permanent or long term use. Adhesive top rail attachment recommended for short term use.

WARNING: Always attach graphic to base and top rail before removing the locking pin. After fitting, the graphic should be left for 24 hours before use to ensure the adhesive bonds sufficiently. Opening the base will invalidate the product warranty.

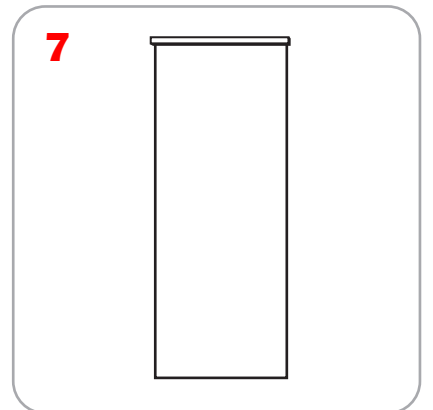
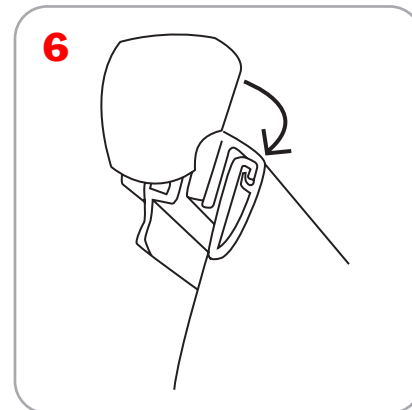
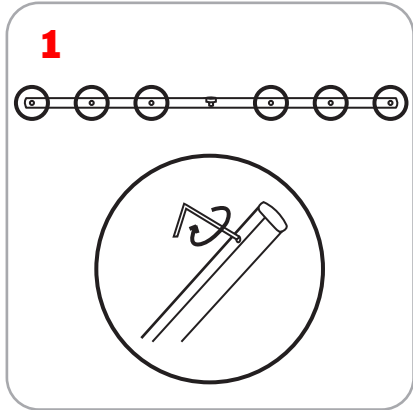
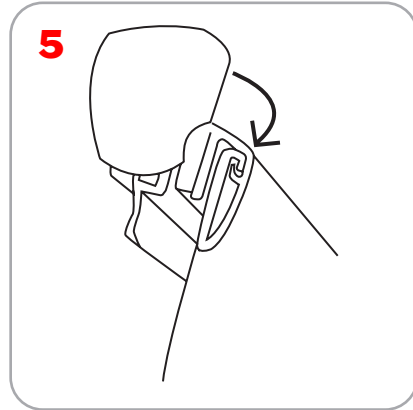
Graphic tension may be re-applied or added by turning the ratchet tensioner clockwise.

Included in Kit: Base, top rail, telescopic pole and carry bag

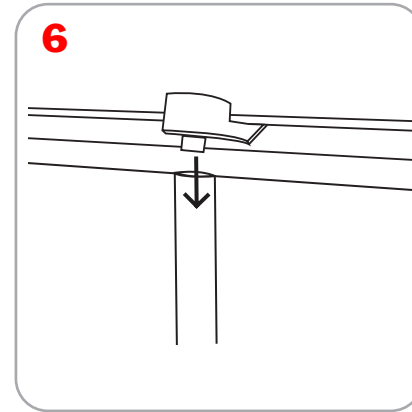
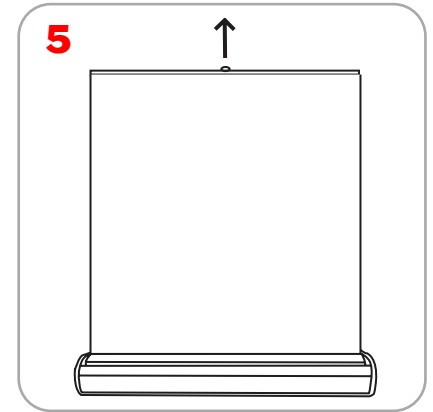
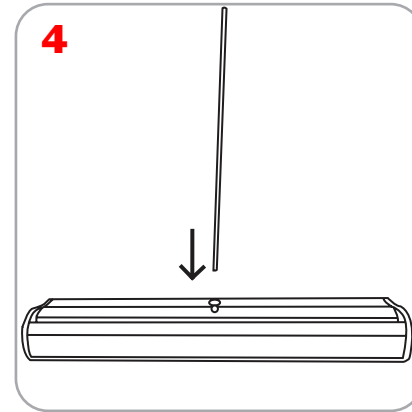
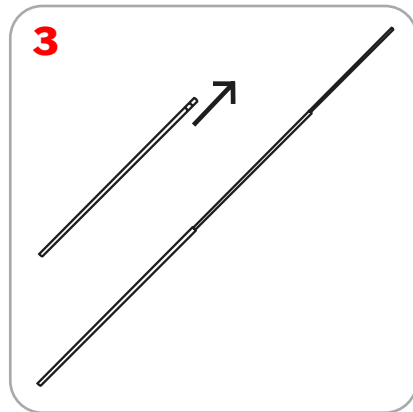
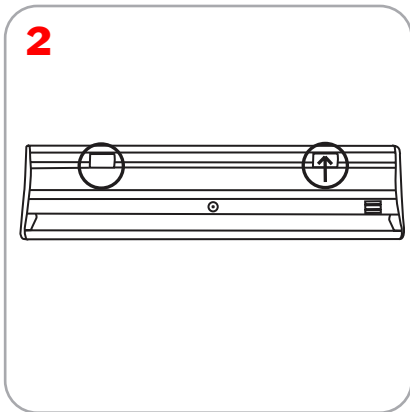
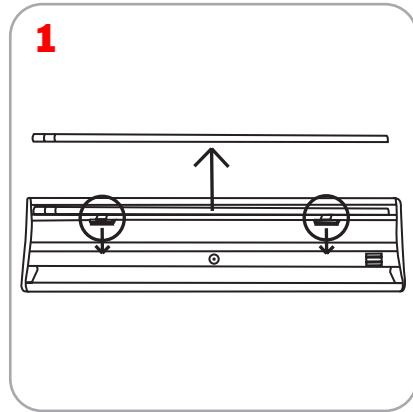
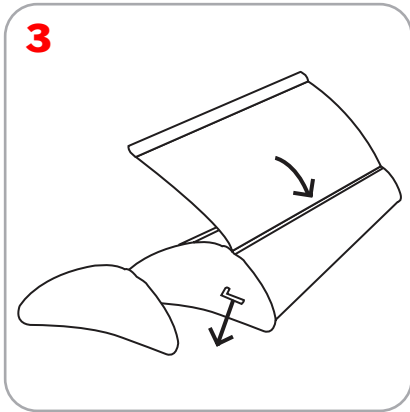
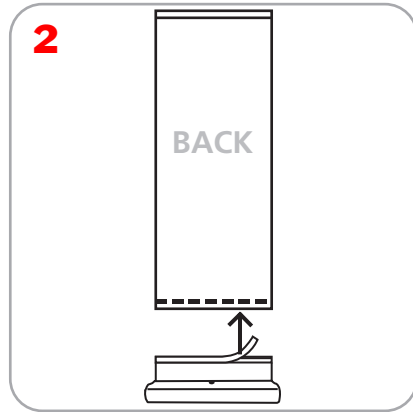
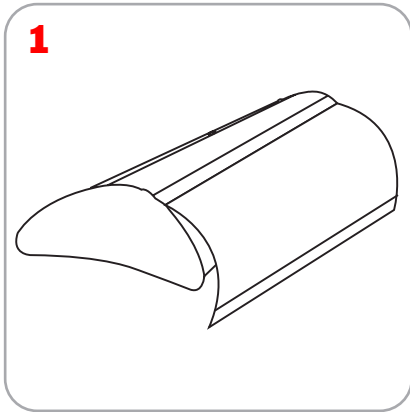
Adhesive Top Rail Attachment



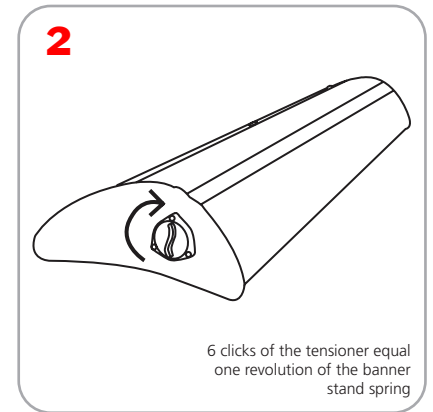
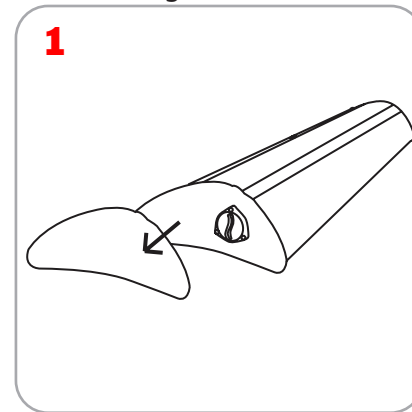
Grippa Top Rail Attachment



Bottom Graphic Attachment



Retensioning



6 clicks of the tensioner equal one revolution of the banner stand spring

Excalibur

Stylish design and proven reliability make Excalibur a popular quality banner stand for prestige locations. Excalibur is a feature-rich single or double-sided retractable banner stand, and has been specially designed for maximum convenience and ease of use.



Features and Benefits

- Variable height= 29.5"-83.35"
- Molded endplates
- Graphic tensioner
- Telescopic pole
- Supplied with quality carry bag
- Integrated pole storage for telescopic pole

Dimensions

Base Dimensions:
33.5" w x 10" d x 3.5" h
850.9mm w x 254mm d x 88.9mm h

Weight: 13.2 lbs (w/ carry bag)
6 kg (w/ carry bag)

Graphic Dimensions:
31.5" w x 29.5" h up to 83.35" h (plus 1/2" bleed at the top and 6" bleed at the bottom)
800.1mm w x 749.3mm h x 2117.1mm h (plus 12.7mm bleed at top and 304.8mm at bottom)

Additional Information

Shipping Weights & Dimensions:
36 x 13 x 5, 18 lbs

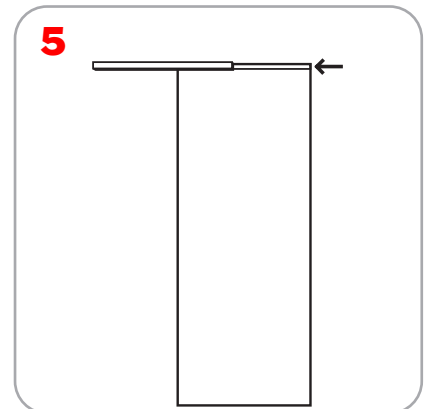
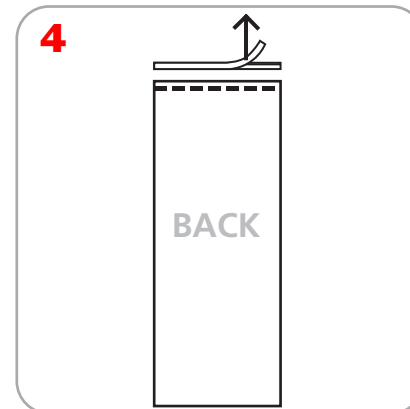
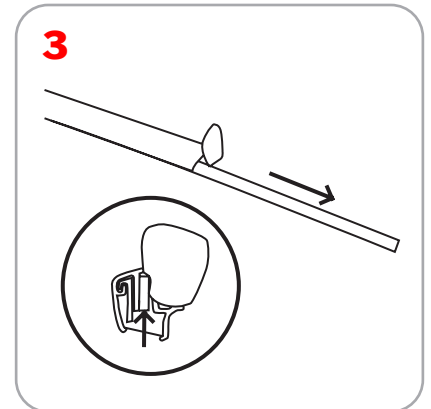
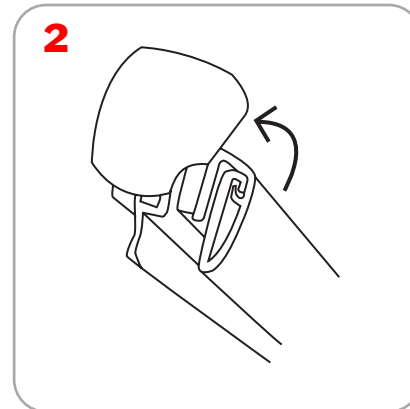
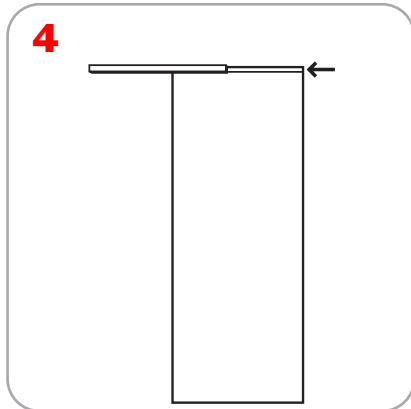
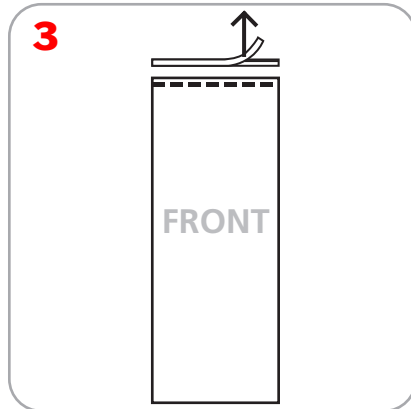
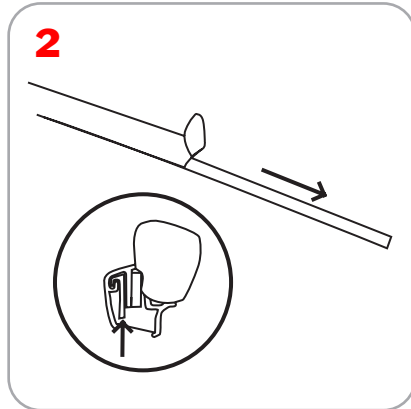
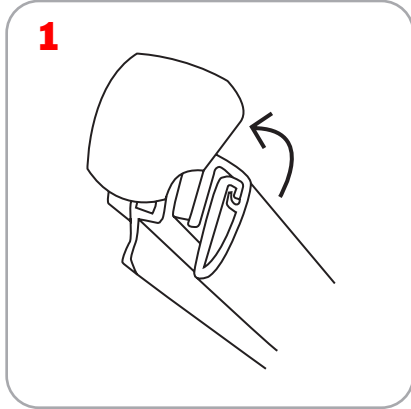
Recommended Substrate:
13oz. smooth vinyl, 7oz. cotton, 14oz. anti-curl vinyl, 8oz. oxford, 11mil mellanex

Grippa top rail attachment recommended for semi-permanent or long term use. Adhesive top rail attachment recommended for short term or one time use.

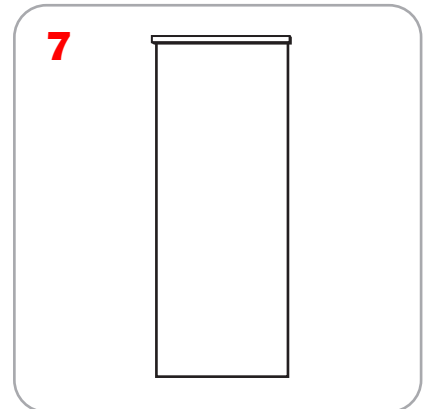
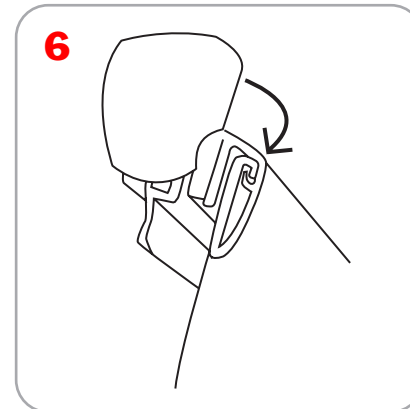
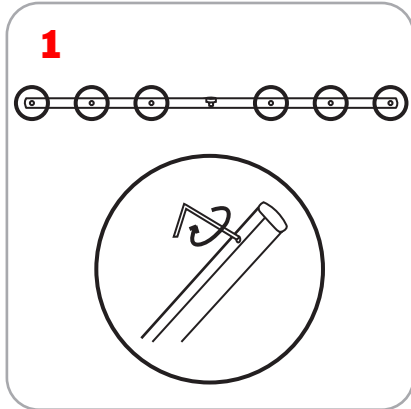
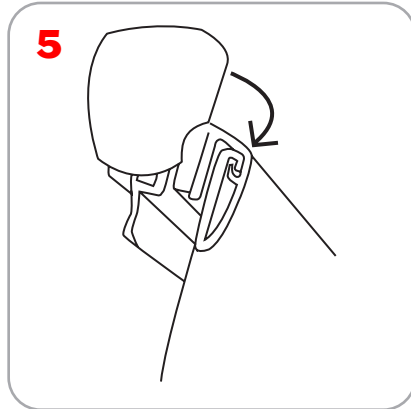
WARNING: Always attach graphic to base and top rail before removing the locking pin. After fitting, the graphic should be left for 24 hours before use to ensure the adhesive bonds sufficiently. Opening the base may invalidate the product warranty.

Graphic tension may be re-applied or added by turning the ratchet tensioner clockwise; 6 clicks of the ratchet tensioner equals 1 revolution of the banner stand spring. 35-45 revolutions will retension.

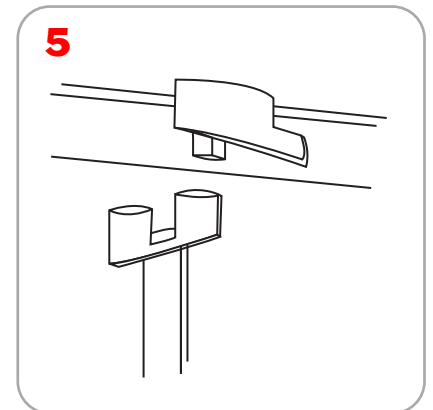
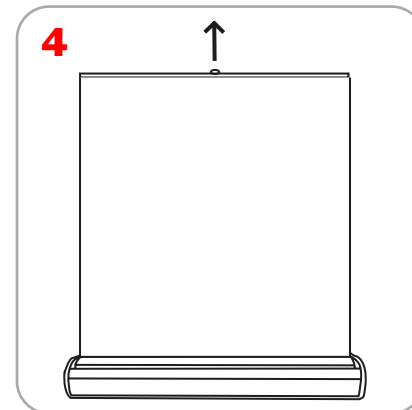
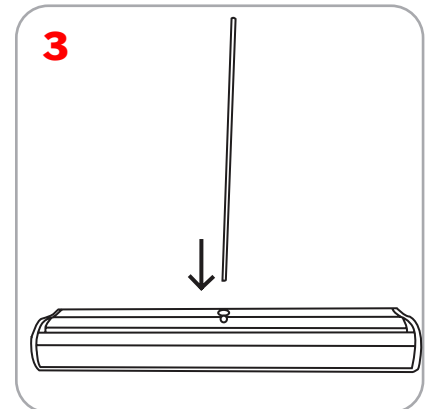
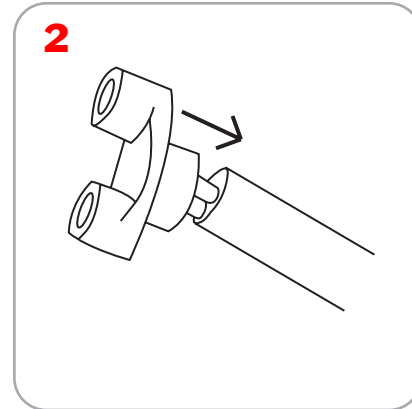
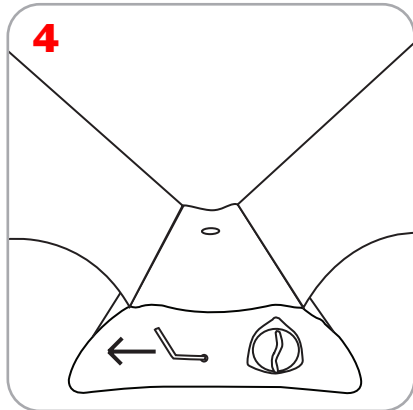
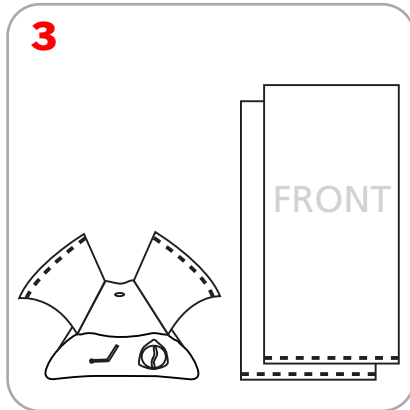
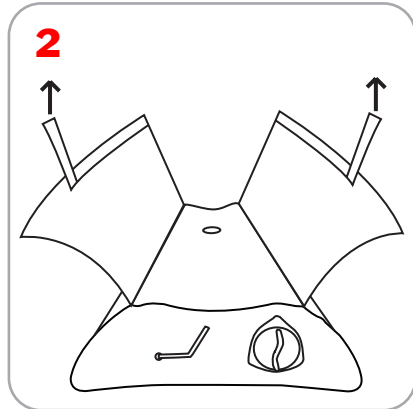
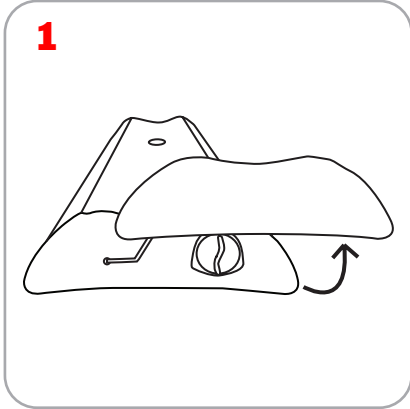
Adhesive Top Rail Attachment



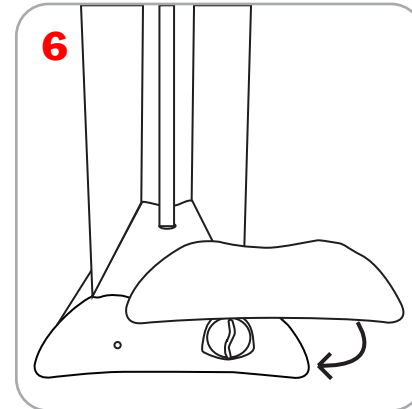
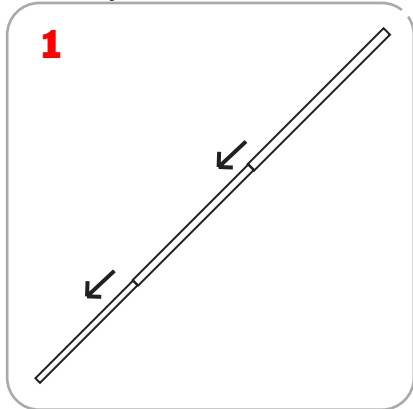
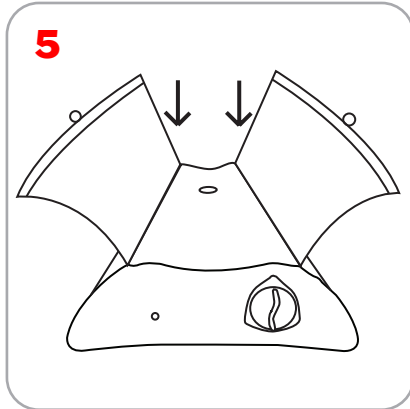
Grippa Top Rail Attachment



Attaching Graphic to Leader strip

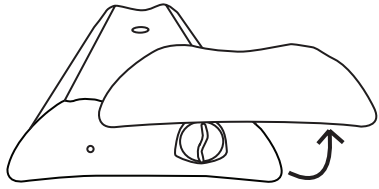


Assembly Instructions

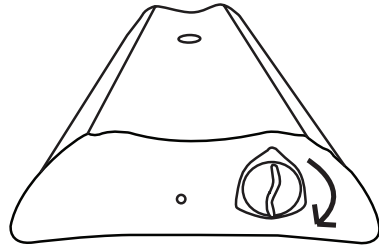


Retensioning

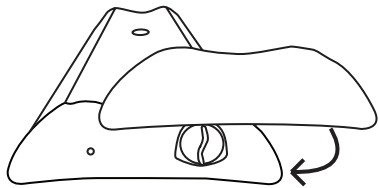
1



2



3



If you like the Excalibur, you might also like...



Imagine
premium banner stand



ZedUp
best selling literature rack



StormPro
outdoor banner stand

Contact your dealer for a look at all of our exciting products

