

Blade LX

Sleek styling coupled with the latest banner stand technology makes the Blade LX lightweight, portable and very easy to use.



Features and Benefits

- Features a gunmetal grey anodized body & cast chrome endplates
- Easy roller access via flip-top lid & removable self-locking graphic roller mechanism
- Quick change graphic slider
- Adjustable feet on base are useful on uneven floors
- 3-piece bungee corded pole & premium top rail
- Comes with quality bag for storage and transportation

Dimensions

Hardware Dimensions	Graphic Dimensions
Pole Height: 85.5" (1.25" slide into base) 2171.7 mm (31.75 mm slide into base)	33.5" (w) x 83.25" (h) 850.9mm(w) x 2114.55mm(h)
Base Dimensions: 3"(h) x 35.25"(w) x 8.625"(d) approx. 76.2mm(h) x 895.35mm(w) x 219mm(d) approx.	Graphic: Add 3/4" (24mm) bleed to top and 12" (304.8mm) bleed to base of graphic to allow for roller mechanism
Weight: 9.45 lbs (4.29 kg) approx (including carry bag)	

Additional Information

Shipping Dimensions:
39" x 12" x 6"
990.6mm x 304.8mm x 152.4mm

Shipping Weight:
13 lbs / 5.9 kg

Can add lighting with any of our lights.
Lumina 2 is recommended.
Must order universal connector for Lumina 7

Recommended Substrate: 13oz. smooth vinyl,
7oz. cotton, 14oz. anti-curl vinyl, 8oz. oxford,
11mil melanex

Bag Dimensions: 35.5" x 10" x 4"

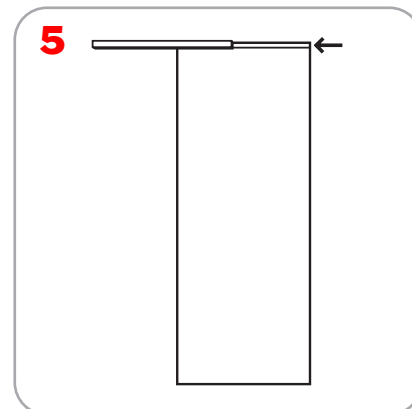
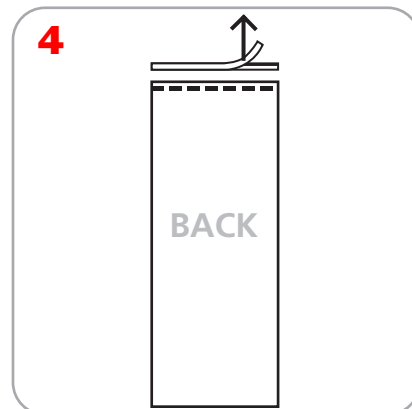
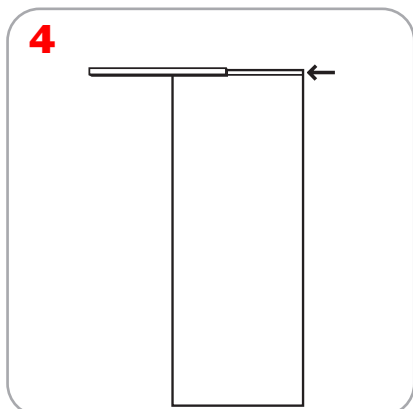
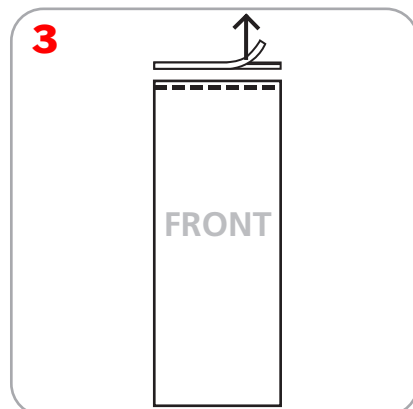
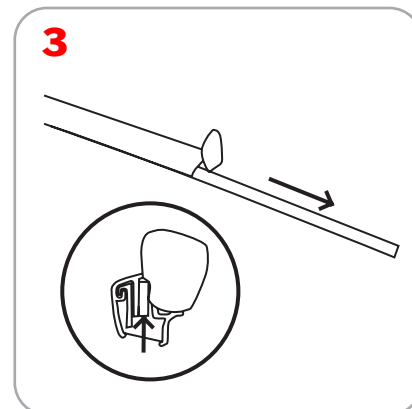
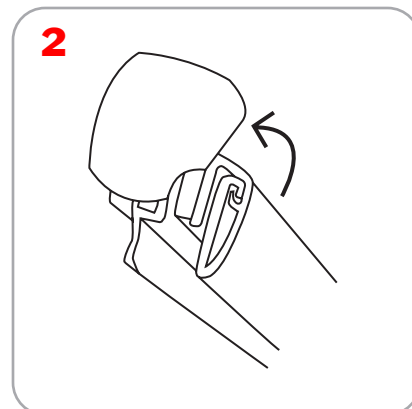
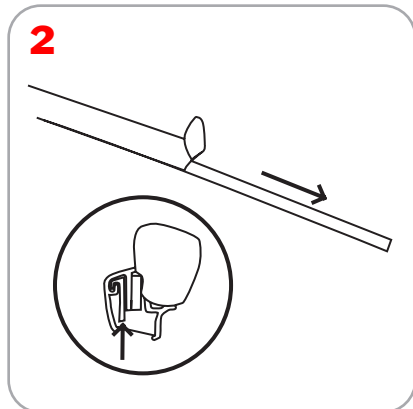
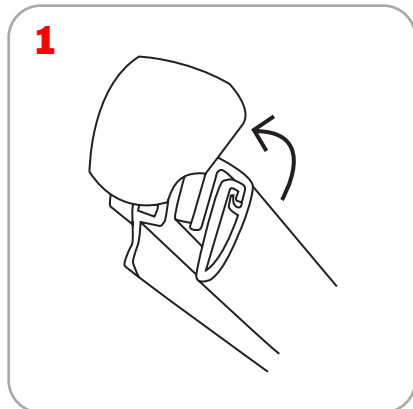
Grippa top rail attachment recommended for semi-permanent or long term use. Adhesive top rail attachment recommended for short term use.

WARNING: Always attach graphic to base and top rail before removing the locking pin. After fitting, the graphic should be left for 24 hours before use to ensure the adhesive bonds sufficiently.

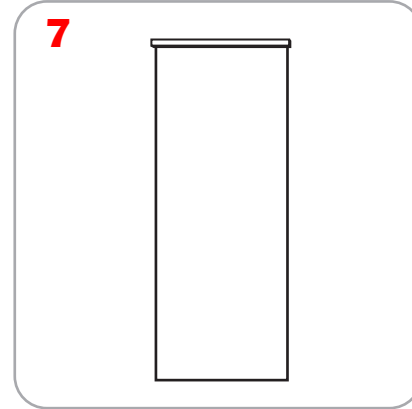
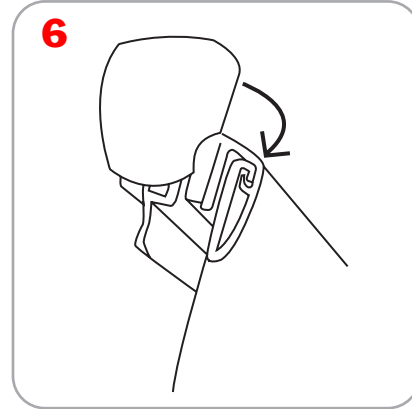
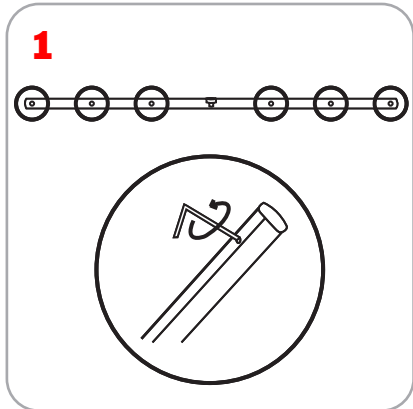
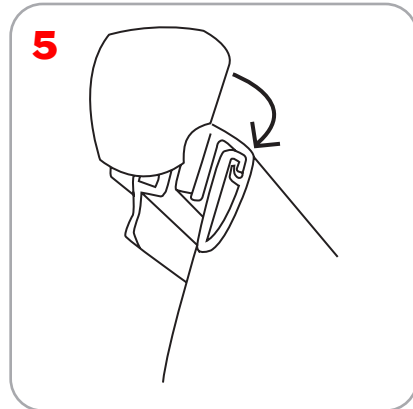
Graphic tension may be re-applied or added by turning the roller mechanism clockwise.

Included in Kit: Base, top rail, roller mechanism, bungee pole and carry bag

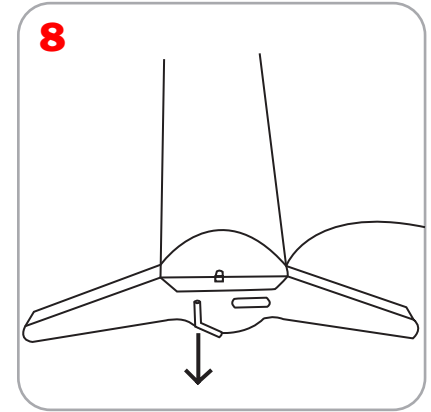
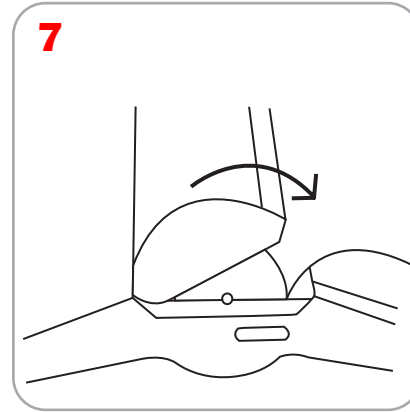
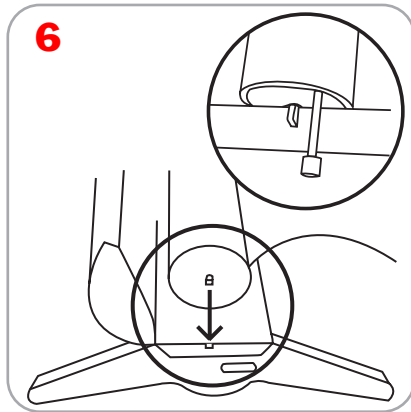
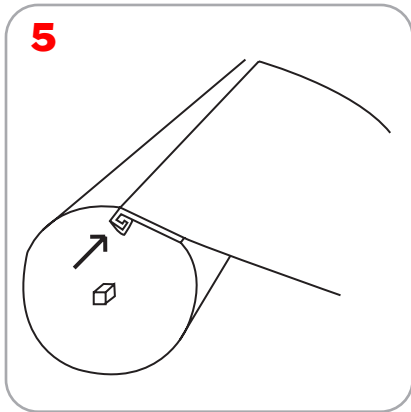
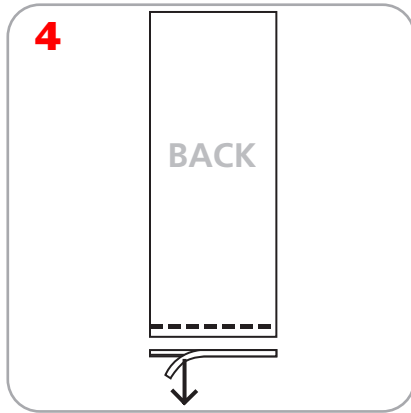
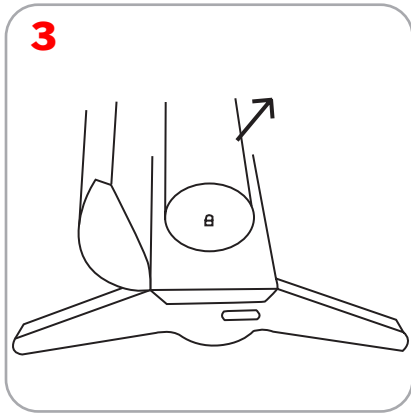
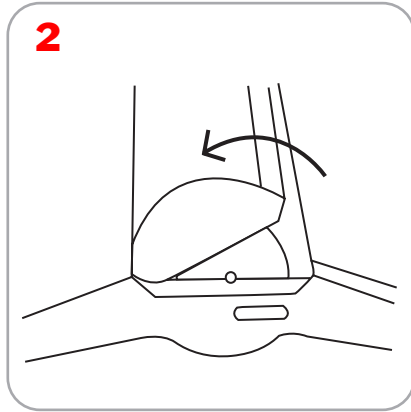
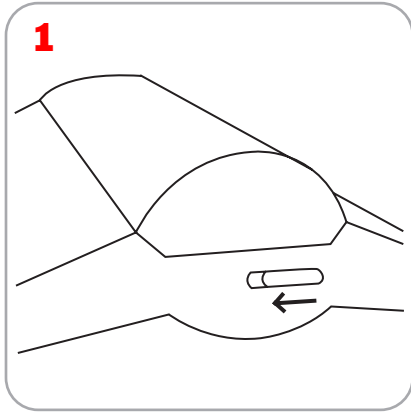
Adhesive Top Rail Attachment



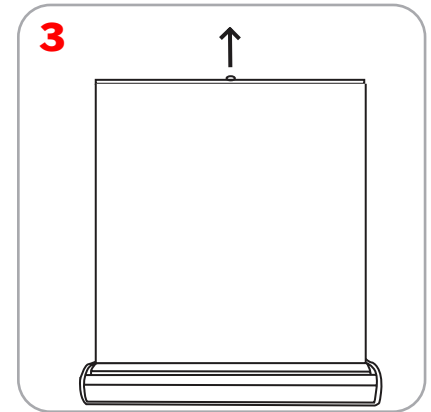
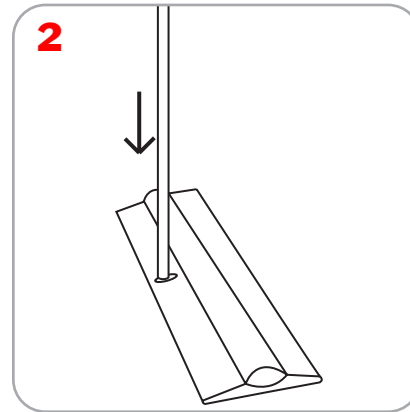
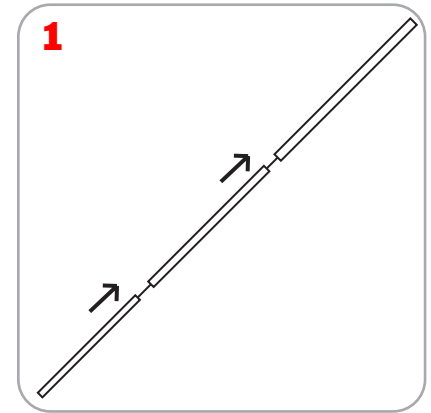
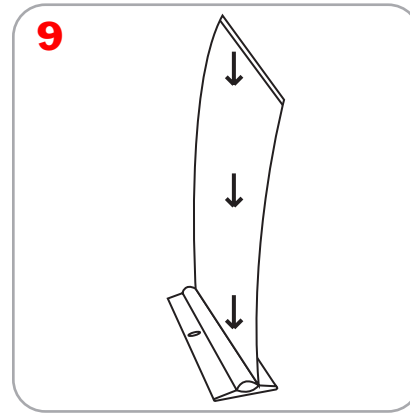
Grippla Top Rail Attachment

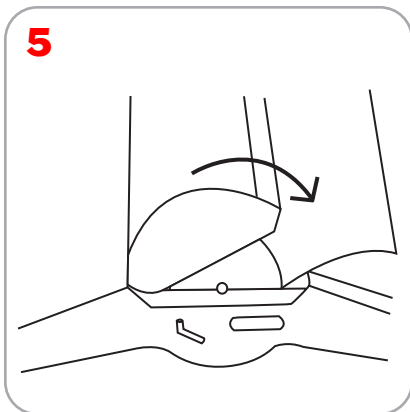
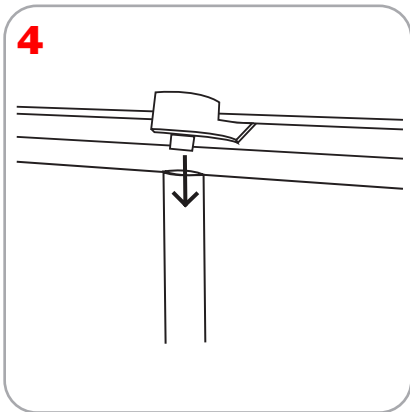


Bottom Graphic Attachment - Cassette

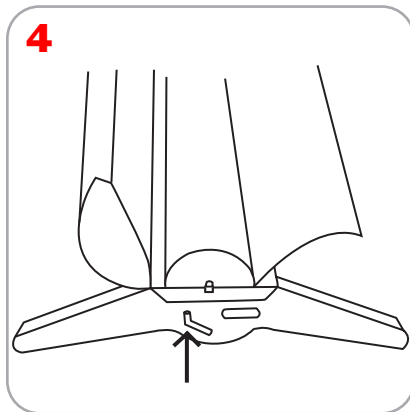
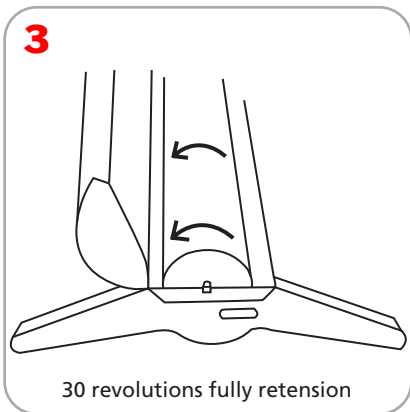
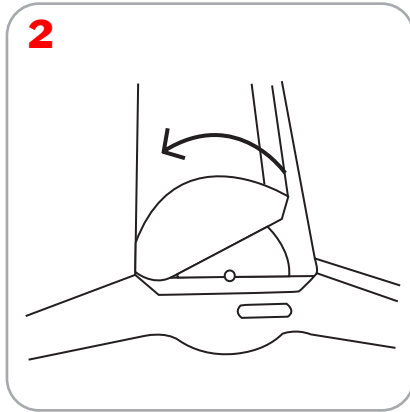
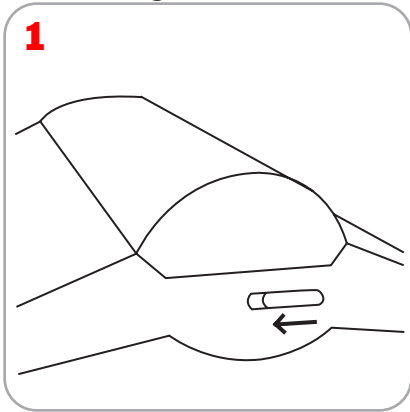


Banner Stand Assembly





Retensioning



BLADE LX

33.5" WIDE BLD-LX-GRY

- standard height = 83.25"
- features a gunmetal anodized body & cast chrome endplates
- roller access via flip-top lid & removable graphic roller mechanism
- quick change graphic slider
- adjustable feet on base are useful on uneven floors
- 3 piece bungee corded pole & premium top rail