

# Imagine

With refined styling and a streamlined profile, the Imagine is packed with new design innovations. This banner stand is our most popular removable cassette roller system and has been specially designed for maximum convenience and ease of use.



## Features and Benefits

- Variable height = 29.5" - 83.35"
- Drop-in interchangeable cassette accommodates graphic media up to 17.72 mils thick\*
- Graphic tensioner
- Integrated pole storage for the twist & lock telescopic pole
- Supplied with quality foam padded carry bag
- Add your own branding using the slide in graphic channel along the banner base
- Anti-slip strips along base

\*Please test your substrate suitability before use

## Dimensions

Hardware Dimensions	Graphic Dimensions
<p><b>Hardware Dimensions:</b> 87.40"(h) x 34.10"(w) x 8.50"(d) approx. 2220mm(h) x 865mm(w) x 215mm(d) approx.</p> <p><b>Base Dimensions:</b> 3.75"(h) x 34.10"(w) x 8.50"(d) approx. 95mm(h) x 865mm(w) x 215mm(d) approx.</p> <p><b>Weight:</b> 13.2 lbs (6 kg) approx (including carry bag)</p>	<p><b>Visible Graphic Dimensions:</b> 83.35" max (h) x 31.50"(w) 2130mm max (h) x 800mm(w)</p> <p>29.5" min x 31.50"(w) 750mm min (h) x 800mm(w)</p> <p><b>Graphic:</b> Add 1/2" (12.7mm) bleed to top and 6" (152.4mm) bleed to base of graphic to allow for roller mechanism</p> <p><b>Recommended material thickness</b> 8.86-17.72 mils (225-450 microns)</p> <p><b>Branding Strip:</b> 0.94"(h) x 32.7"(w) 24mm(h) x 830mm(w)</p> <p><b>Visible Dimensions:</b> 0.79"(h) x 32.7"(w) 20mm(h) x 830mm(w)</p>

## Additional Information

**Shipping Dimensions:**  
36" x 11" x 5"  
914.4mm x 279.4mm x 127mm

**Shipping Weight:**  
16 lbs / 7.26kg

Can add lighting with any of our lights.  
**Lumina 2 is recommended.**  
Must order universal connector for Lumina 7 & Lumina 200

**Recommended Substrate:** 13oz. smooth vinyl, 7oz. cotton, 14oz. anti-curl vinyl, 8oz. oxford, 11mil mellanex

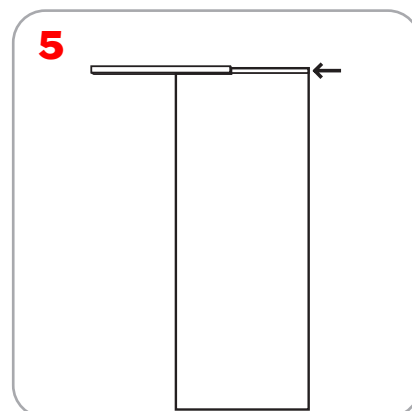
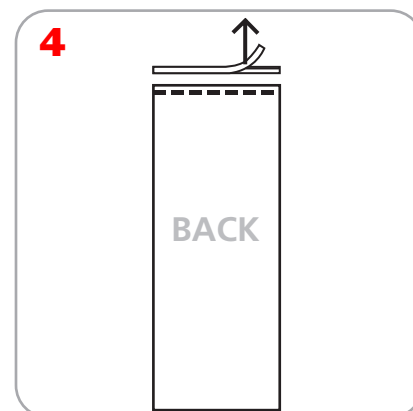
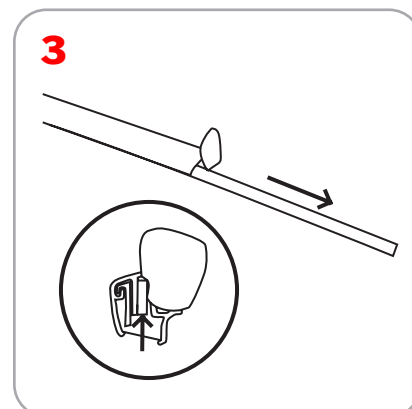
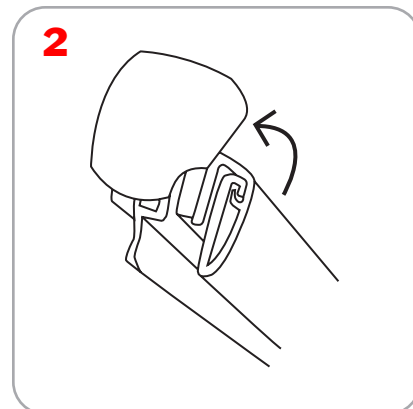
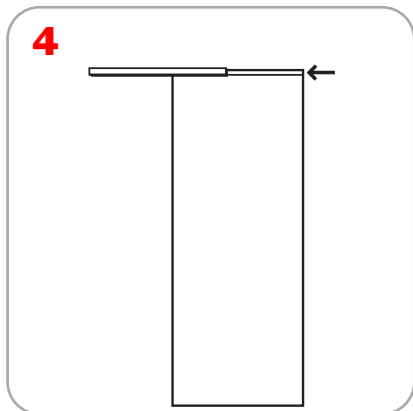
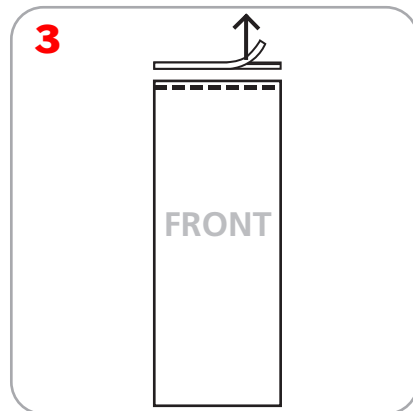
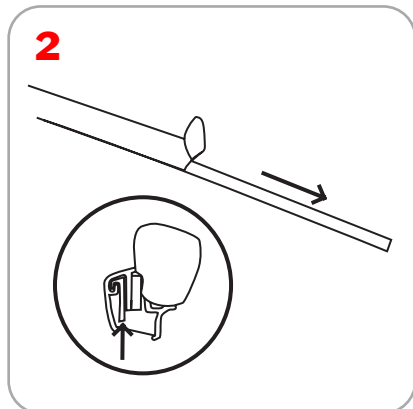
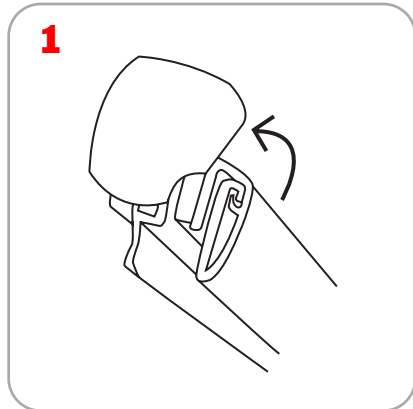
Grippa top rail attachment recommended for semi-permanent or long term use. Adhesive top rail attachment recommended for short term use.

**WARNING:** Always attach graphic to base and top rail before removing the locking pin. After fitting, the graphic should be left for 24 hours before use to ensure the adhesive bonds sufficiently. Opening the base will invalidate the product warranty.

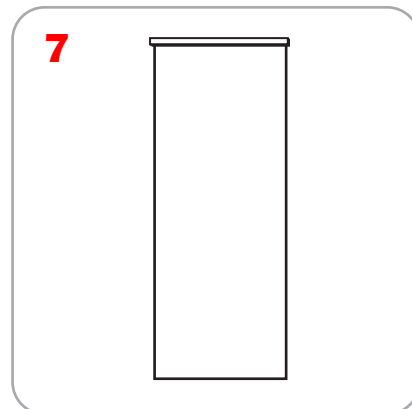
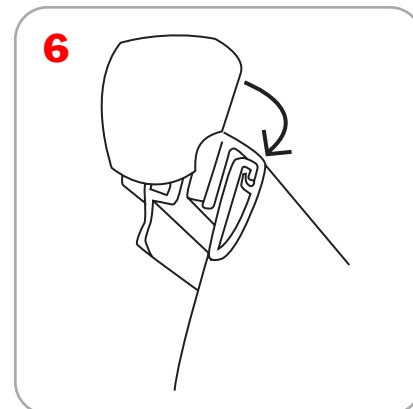
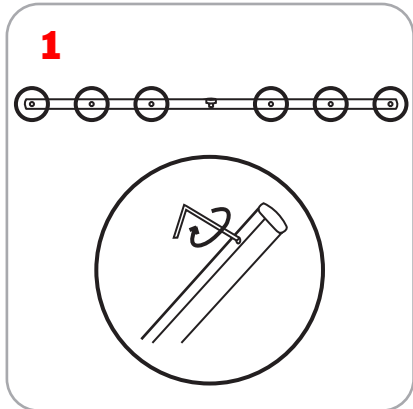
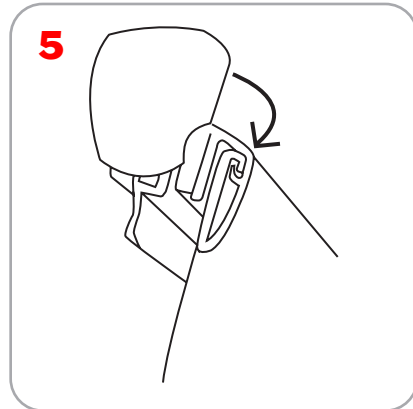
Graphic tension may be re-applied or added by turning the ratchet tensioner clockwise.

**Included in Kit:** Base, top rail, cassette, telescopic pole and carry bag

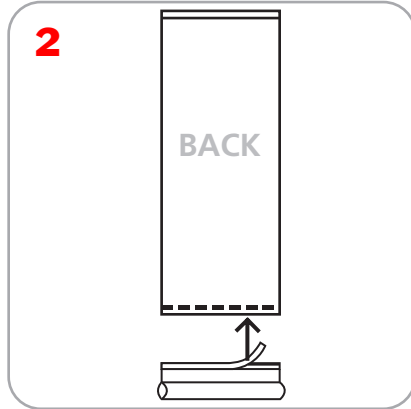
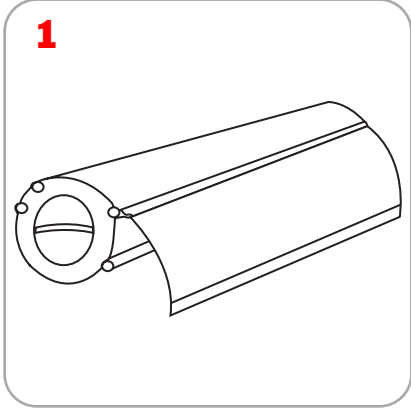
### Adhesive Top Rail Attachment



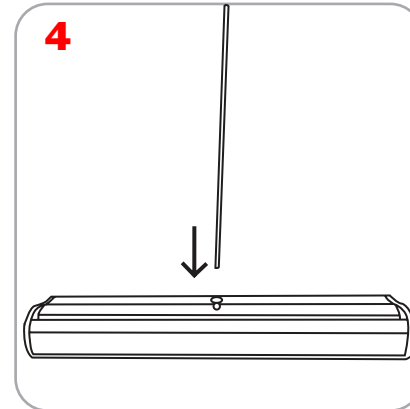
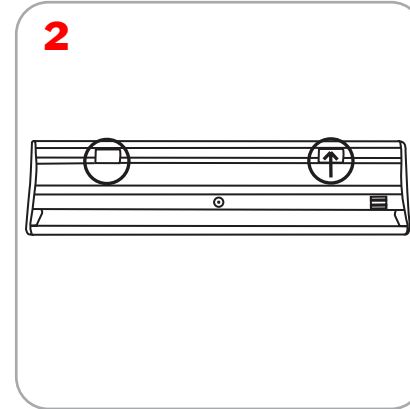
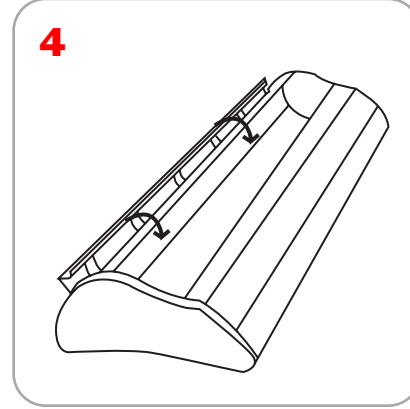
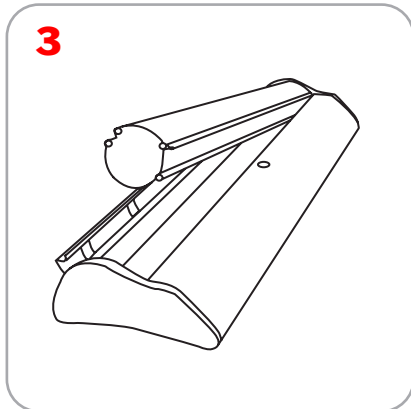
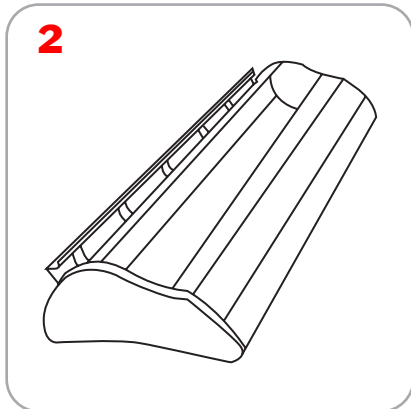
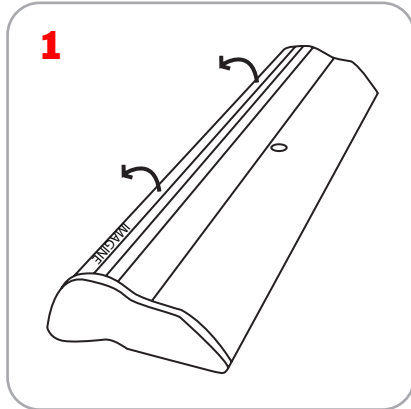
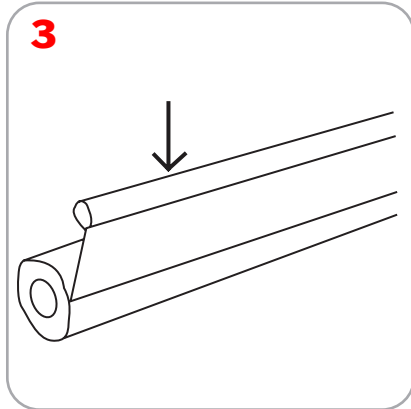
### Grippa Top Rail Attachment



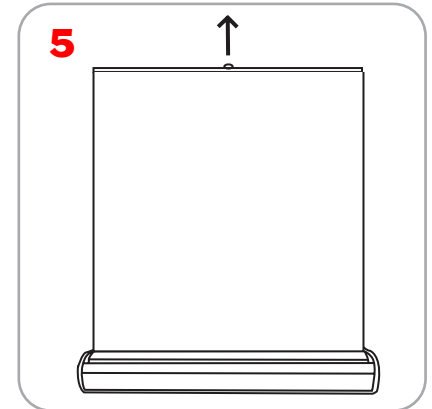
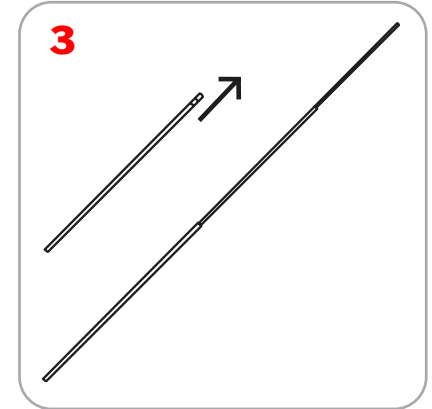
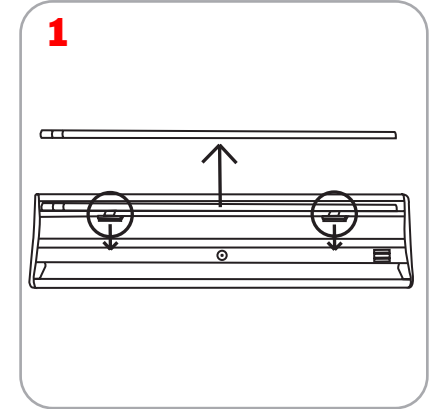
Bottom Graphic Attachment - Cassette

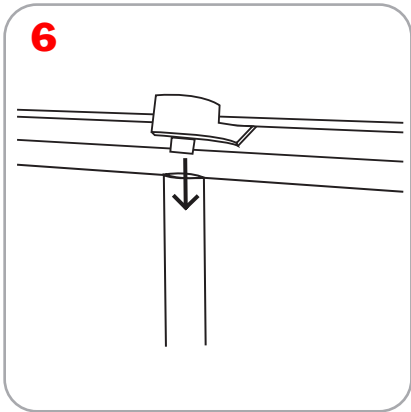


Cassette Installation

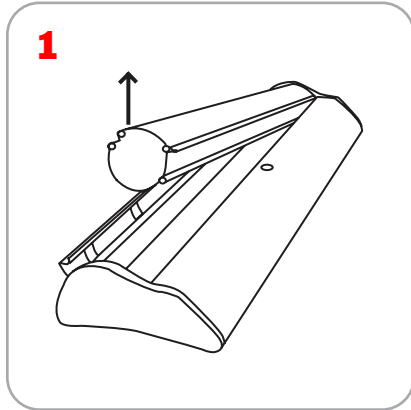


Banner Stand Assembly

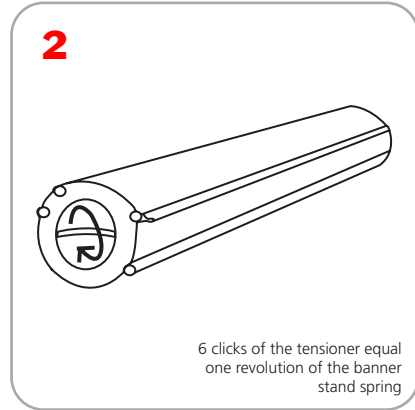
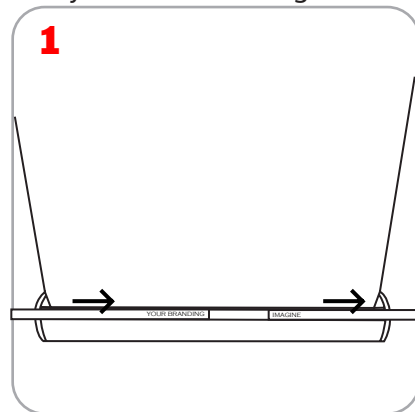




Retensioning



Add your own branding



### Case Options for the Imagine Banner Stand

	OCB	Holds 1 Imagine Banner Stand
	OCS	Holds 3 Imagine Banner Stands
	OCL	Holds 3 Imagine Banner Stands
	OCP	Holds 5 Imagine Banner Stands
	OCP Elite	Holds 6 Imagine Banner Stands
	OCH	Holds 5 Imagine Banner Stands

# Advance

With refined styling and a streamlined profile, the Advance is packed with new design innovations. Useable as a single or double sided system, this removable cassette banner system has been specially designed for maximum convenience and ease of use.



## Features and Benefits

- Variable height = 29.5" - 83.35"
- Single or double sided
- Graphic tensioner
- Integrated pole storage for the twist & lock telescopic pole
- Interchangeable graphic cassettes
- Add your own branding using the slide in graphic channel along the banner stand base

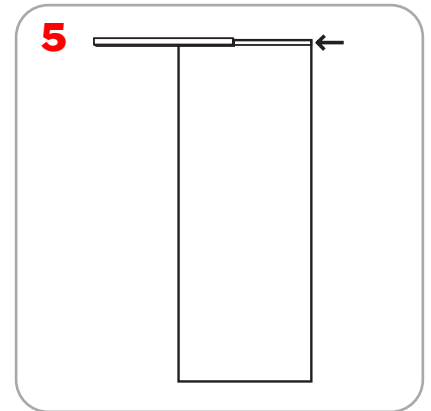
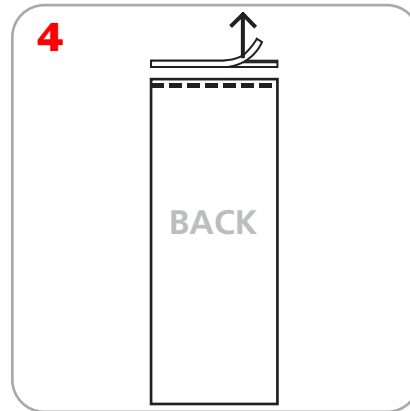
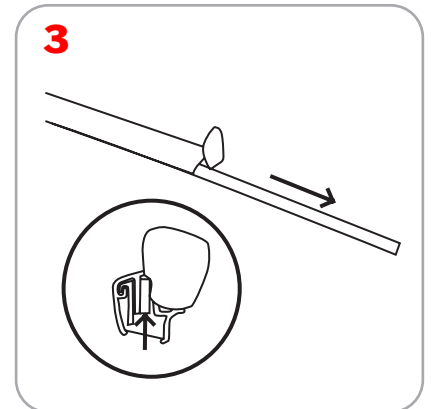
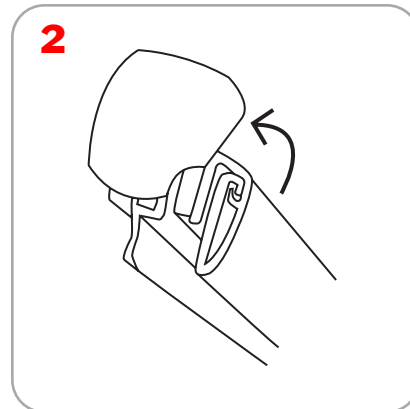
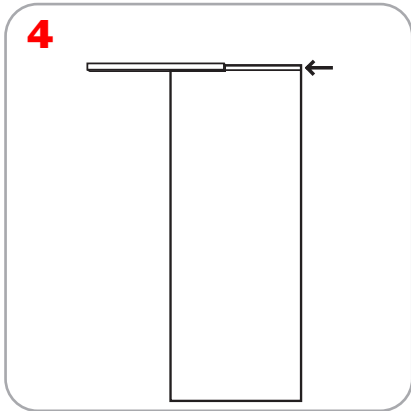
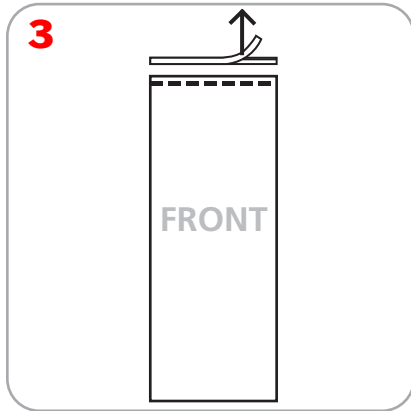
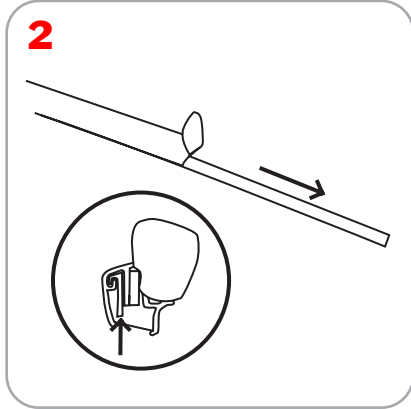
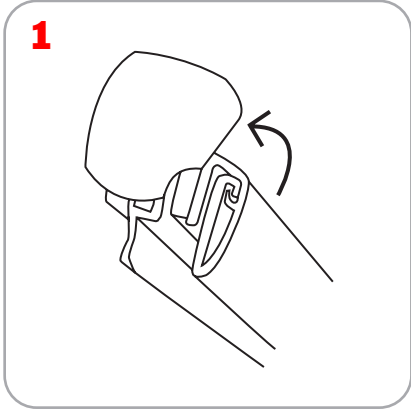
## Dimensions

Hardware Dimensions	Graphic Dimensions
<p><b>Hardware Dimensions::</b> 87.40"(h) max x 34.10"(w) x 11"(d) approx. 2210mm(h) x 865mm(w) x 280mm(d) approx.</p> <p><b>Base Dimensions:</b> 3.75"(h) x 34.10"(w) x 11"(d) approx. 95mm(h) x 865mm(w) x 280mm(d) approx.</p> <p><b>Weight:</b> 16.5 lbs (7.5 kg) approx (including carry bag)</p>	<p>31.5"w x 29.5"h up to 83.35"h (plus 1/2" bleed at the top and 6" bleed at the bottom)</p> <p>800mm w x 750mm h up to 2130mm h (plus 12.7mm bleed at the top and 152.4mm bleed at the bottom)</p>

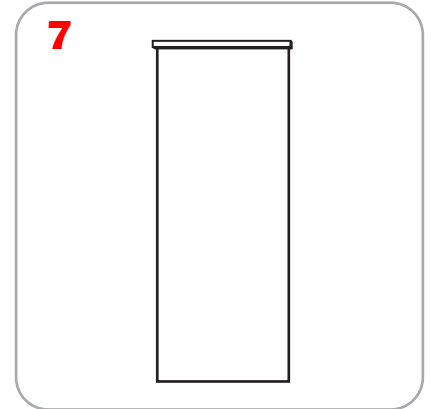
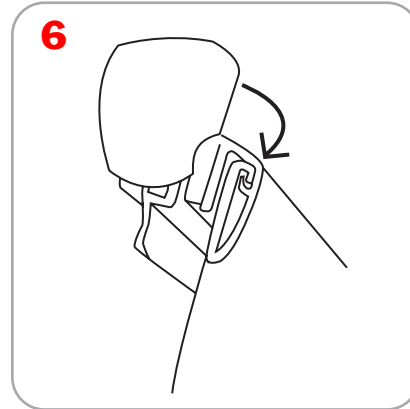
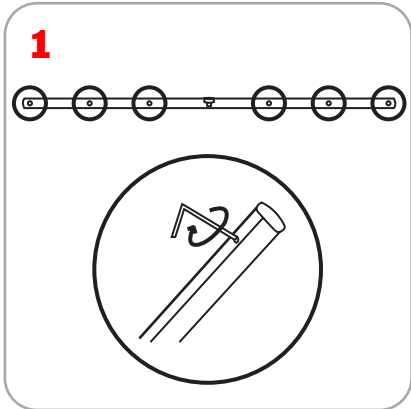
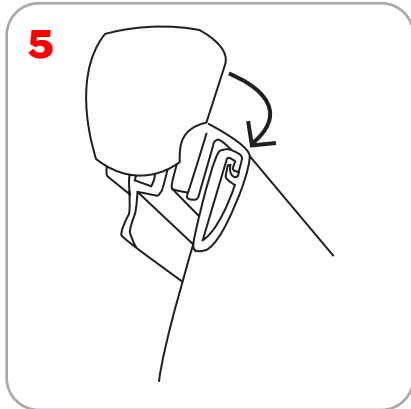
## Additional Information

<p><b>Shipping Dimensions:</b> 36" x 14" x 5" 914.4mm x 355.6mm x 127mm</p> <p><b>Shipping Weight:</b> 24 lbs / 10.89 kg</p> <p>Can add lighting with any of our lights. <b>Lumina 2 is recommended.</b> Must order universal connector for Lumina 7 &amp; Lumina 200</p> <p><b>Recommended Substrate:</b> 13oz. smooth vinyl, 7oz. cotton, 14oz. anti-curl vinyl, 8oz. oxford, 11mil melenex</p>	<p>Grippa top rail attachment recommended for semi-permanent or long term use. Adhesive top rail attachment recommended for short term use.</p> <p><b>WARNING:</b> Always attach graphic to base and top rail before removing the locking pin. After fitting, the graphic should be left for 24 hours before use to ensure the adhesive bonds sufficiently. Opening the base will invalidate the product warranty.</p> <p>Graphic tension may be re-applied or added by turning the ratchet tensioner clockwise.</p> <p><b>Included in Kit:</b> Base, 2 top rails, 2 cassettes, telescopic pole, doubler and carry bag</p>
-----------------------------------------------------------------------------------------------------------------------------------------------------------------------------------------------------------------------------------------------------------------------------------------------------------------------------------------------------------------------------------------------------------------------	----------------------------------------------------------------------------------------------------------------------------------------------------------------------------------------------------------------------------------------------------------------------------------------------------------------------------------------------------------------------------------------------------------------------------------------------------------------------------------------------------------------------------------------------------------------------------------------------------------------------------

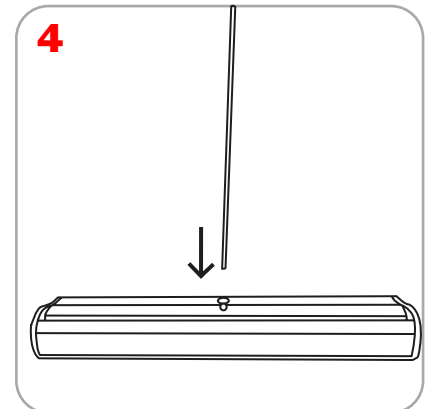
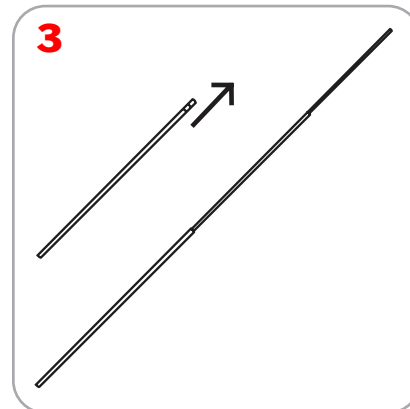
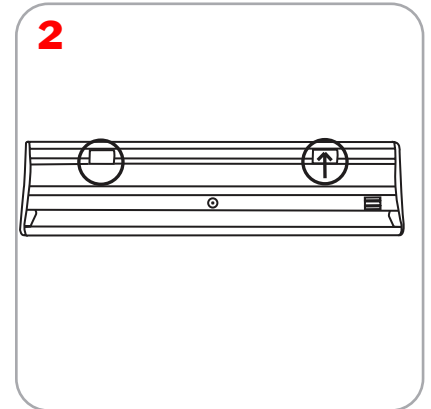
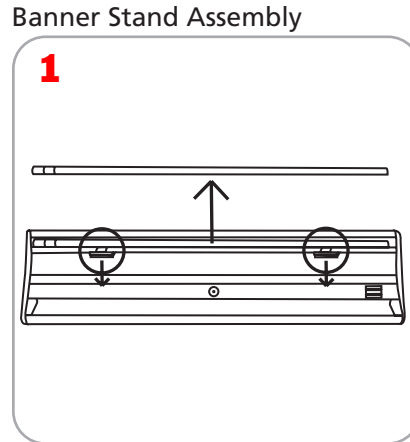
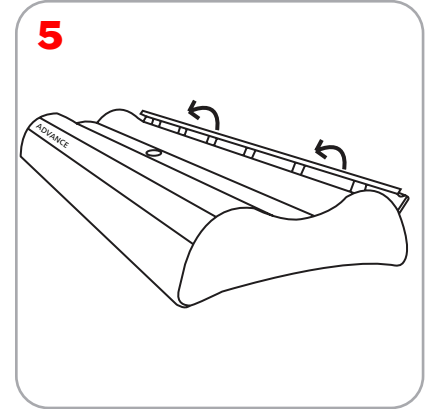
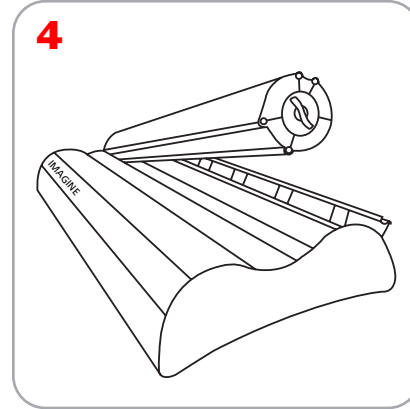
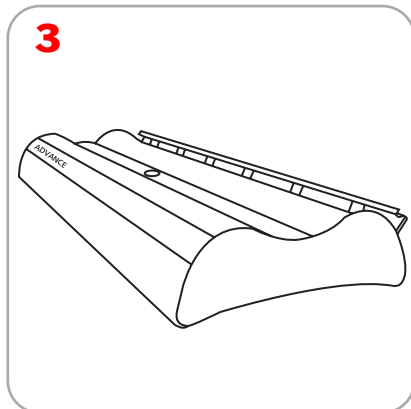
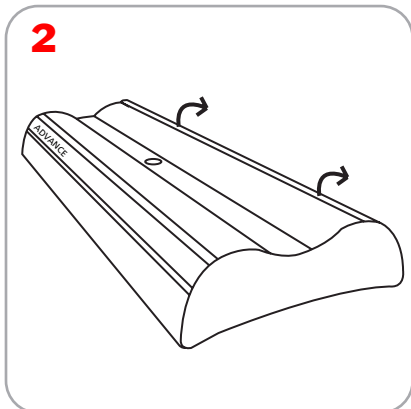
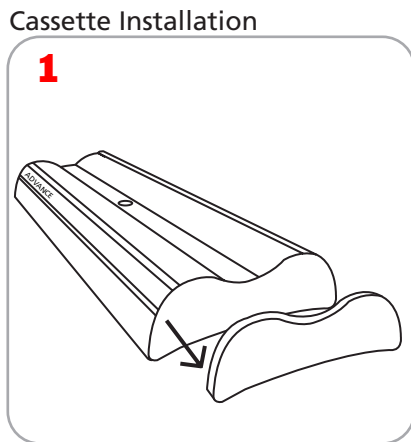
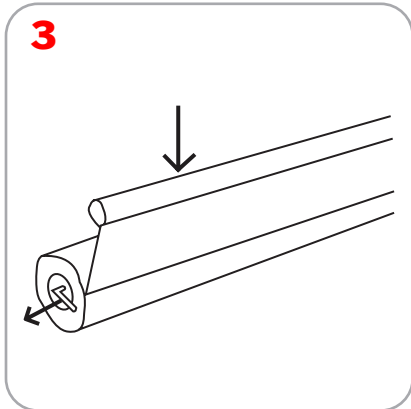
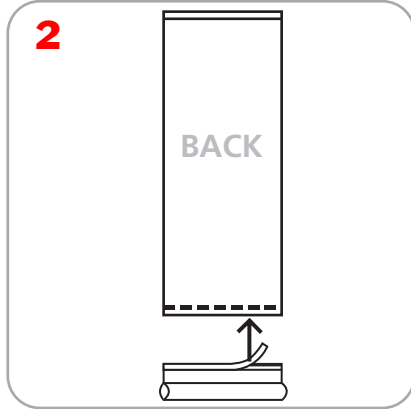
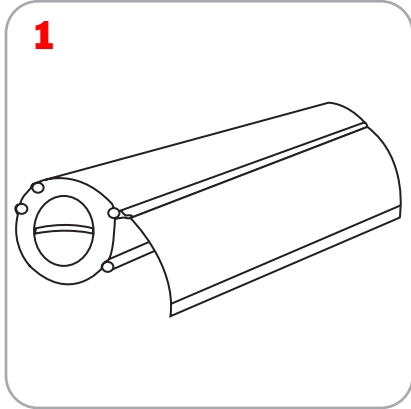
Adhesive Top Rail Attachment

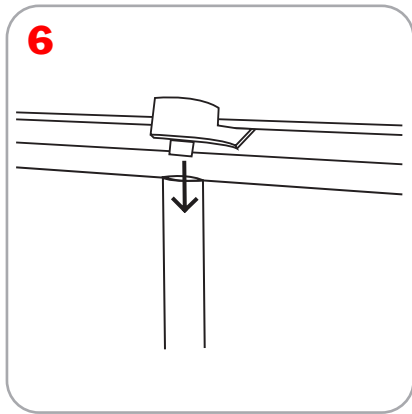
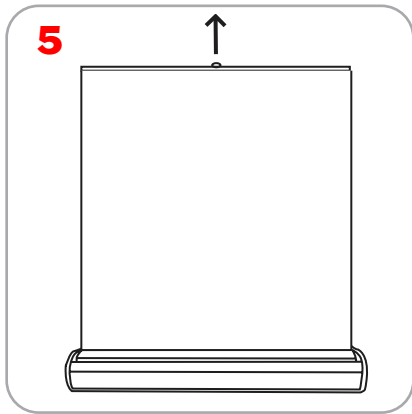


Grippa Top Rail Attachment



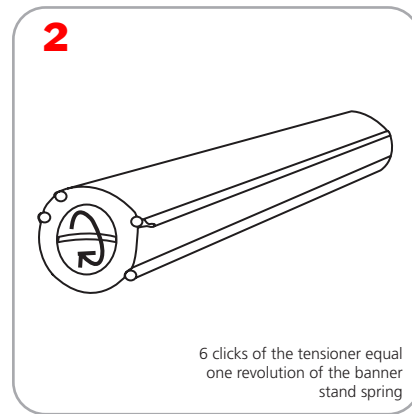
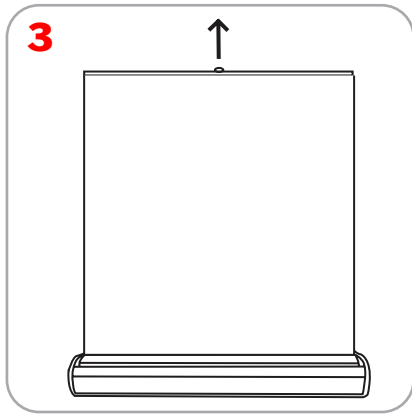
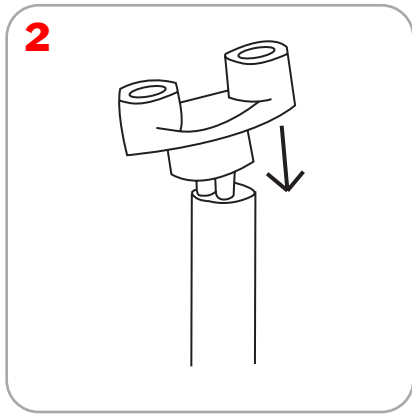
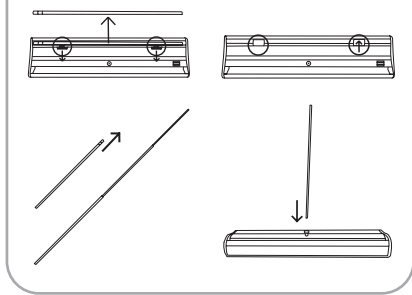
Bottom Graphic Attachment - Cassette



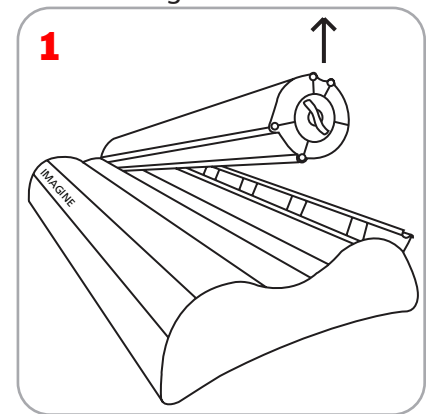


**Double Sided**

**1** Follow steps 1-4 of Banner Stand Assembly



**Retensioning**



**Add your own branding**

